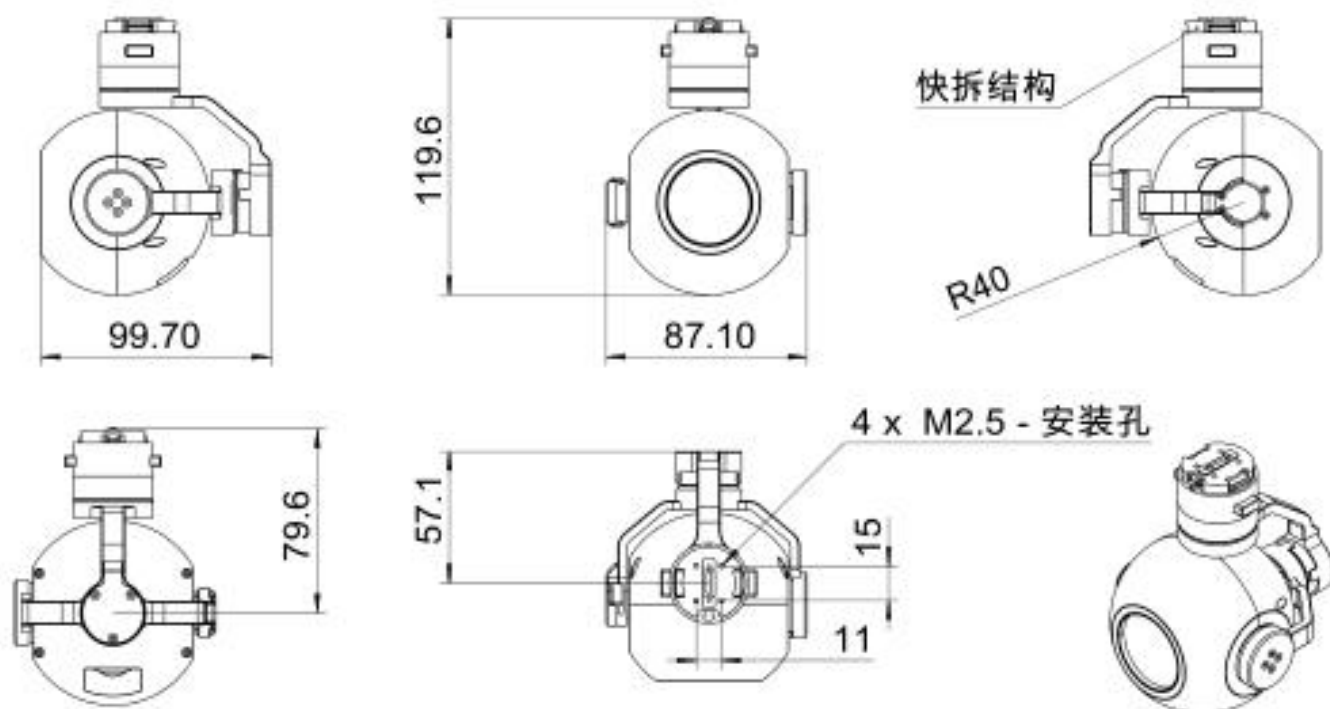


Product highlights:

1. Integrated design, quick disassembly structure and convenient installation
2. 10x continuous optical zoom
3. High precision laser ranging, target positioning, unparalleled
4. With AI passenger car recognition function
5. 360 ° infinite cyclic rotation
6. Small size, light weight and low power consumption

Dimensions



Parameters

MODEL		MI-01pro
System specification	System type	Gyro stability
	Weight	340g
Stable system	Platform type	Tri-axis
	Azimuth	360° rotation
	Pitch	-100° ~+100°
	Roll	-45° ~+45°
	Maximum search angular velocity	$\geq 100^\circ /s$
	Stability accuracy	0.1mrad(1° /2HZ)
	Angular position accuracy	$\leq 0.3^\circ$
	Visible light camera	Resolution and frame rate
FOV		61.3° X36.9° ~6.8° X3.9°
Tracking module	Frame rate	60Hz
	Tracking speed	± 48 Pixel/frame
System external interface	Control	RS232、NET
	Video output	NET
Power supply	Power	12~28V
	Power consumption	$A_v \leq 10W$, $Max \leq 20W$
Environmental conditions	Operating temperature	-20°C ~+50°C
	Storage temperature	-40°C ~+60°C